

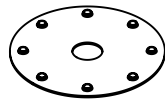


8.0 Module Bonding

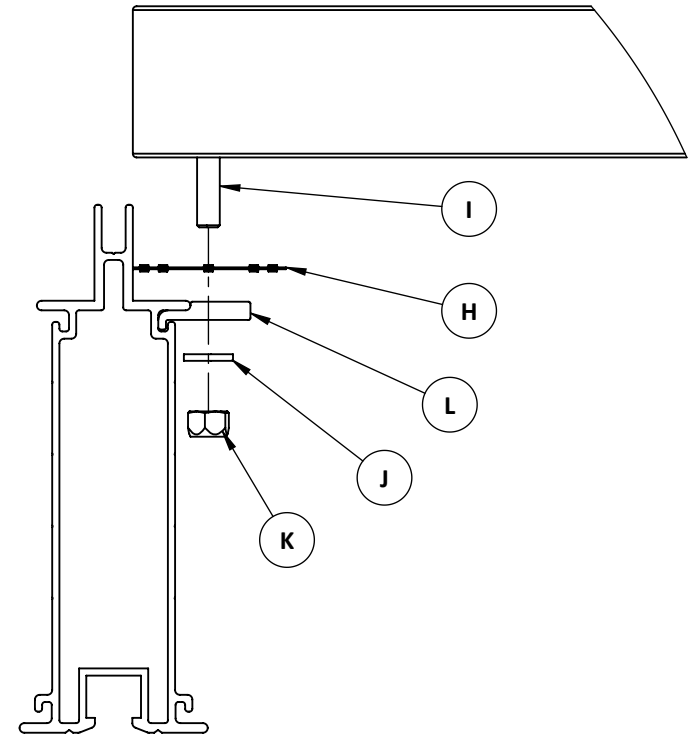
The PV-Modules are bonded to the rails using disc bonding washers. Each PV-module requires at least one bonding washer.

The bonding washer must be located in between the PV-Module frame and the rail flange. Bolts must be properly torqued.

 **Torque to 5 lbs.ft**



Bonding Washer (H)





9.0 Installing the HL Brace



A

0.500" x 1.250"
Hex Bolt
x12



B

0.500"
Flat Washer
x24



C

0.500"
Hex Nut
x12

OPTIONAL

i The HL Brace is an optional support used for high snow load locations, or for installations with piles to add rigidity to the system.

Fasten the second Pivot Bracket to the Elevation Bar at the lowest connection point. Install the four bolts and fully tighten.

Loosen the bolts on the back foot and slide in the HL Brace. The slots allow it to be installed without fully removing the hardware. Swing it up and bolt the top end to the Pivot Bracket.

i The HL Brace is only designed to work with the racking installed at 35°

i Torque to 57 lbs.ft

