



Components

ID	PART	CODE
1	Leg Brace	*FR-GMX-HL-KIT
2	Pivot Plate	*FR-GMX-HL-KIT
3	Front Leg Addition	*FR-GMX-HL-KIT

*ALL INCLUDED IN FR-GMX-HL-KIT

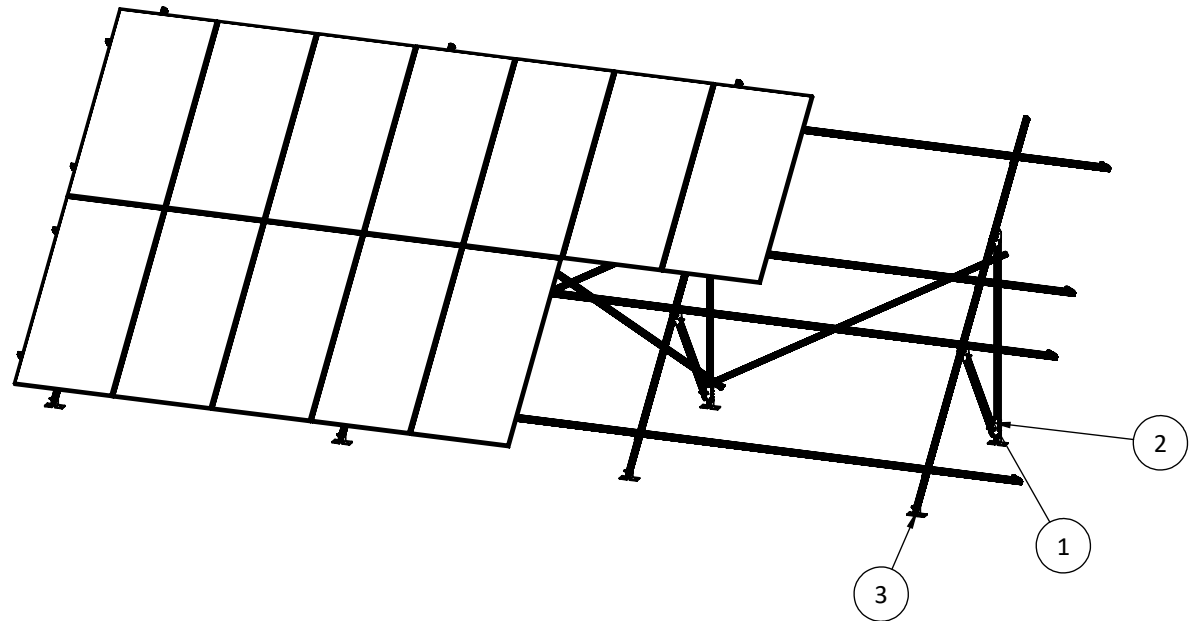
Upon receipt of goods, make sure to check all packaging to ensure delivery of all parts required.

Hardware

ID	SIZE	TYPE
A	0.4375 x 3.000	Hex Bolt
B	0.4375	Flat Washer
C	0.4375	Lock Washer
D	0.4375	Hex Nut
E	M8 x 25	T-Bolt
F	M8	Flanged Hex Nut

Tools

- 5/8" Open end wrench, socket and ratchet
- 13mm Open End wrench, socket and ratchet
- Torque wrench

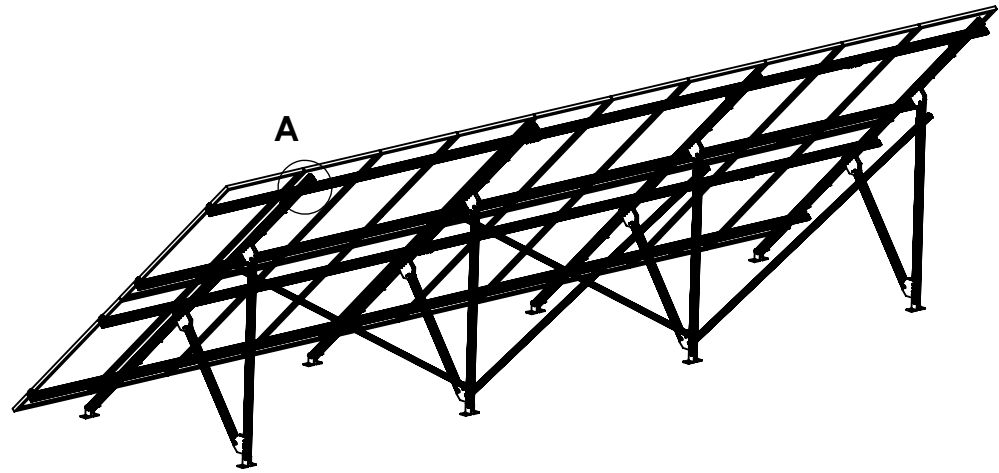




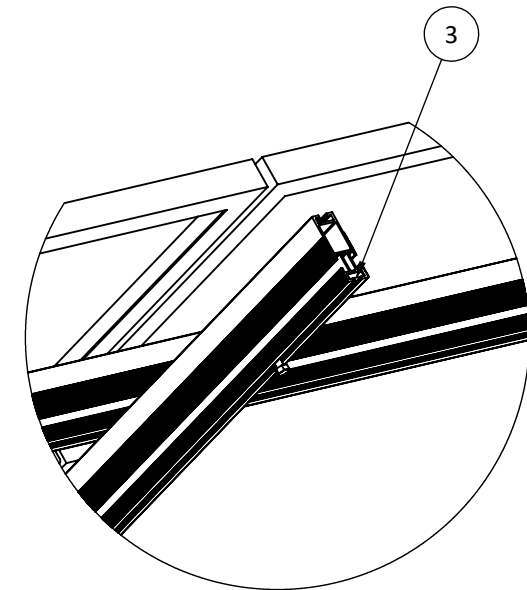
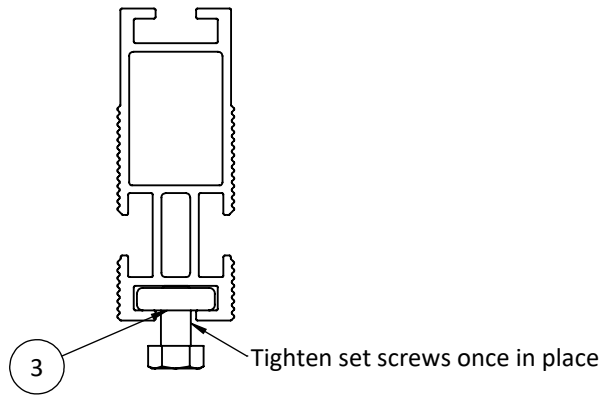
3.0 Front Leg Addition

The Front Leg Addition is a slide-in bar that stiffens the Front Leg. It is recommended to install within the Rail prior to positioning the Front Leg.

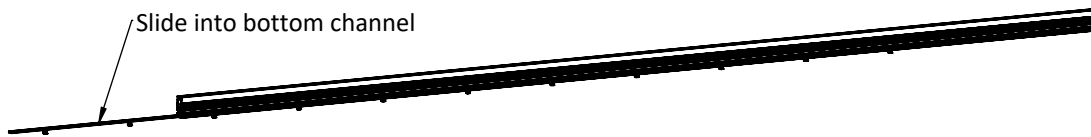
The Front Leg Addition slides into the bottom channel of the Front Leg. Ensure all set screws are loosened before sliding into place. The Front Leg Addition will run the full length of the Front Leg. Once in place, tighten all set screws.



i Torque M8 hardware to 15 lbs.ft



DETAIL A





4.0 Leg Brace

The Leg Brace extends from the bottom of the Back Leg and connects to the Front Leg providing additional support. Install the Pivot Plates to the Front Leg first at a position 68" up as shown. Once in place, swing the Leg Brace up and connect the lower set of Pivot Plates to the Back Leg.

i Torque M8 hardware to 15 lbs.ft

i Torque 7/16" hardware to 31 lbs.ft

